

You can rely on **POTTERTON**



# Heat only boiler

Potterton Promax HE Plus

# POTTERTON

# You can rely on **Potterton**

## The ultimate in reliability and service

With Potterton on your side, you can be sure that you're offering your customers the ultimate in reliability, energy efficiency and service. You're on board with a name that – for more than 150 years – has stood for high quality and unrivalled experience in the design and manufacture of boilers. In fact, over the years, more than 5 million Potterton boilers have been built.

Today's Promax HE range uses the latest, proven technology to bring you boilers that are among the most energy-efficient, environmentally friendly and easy to use home heating solutions on the market.

What puts Potterton on top? Our enormous investment in research, design and world class manufacturing – including a

£2 million Product Design Centre, the largest in the UK – is only part of the story. Unrivalled service and support also helps to give you complete peace of mind.

On efficiency, on quality, on reliability, on ease of installation, on technical support... you can rely on Potterton.


## On the cutting edge of innovation

Potterton's commitment to innovation is second to none. Our state-of-the-art Product Design Centre is fully equipped with more than 45 test stations that are designed to test the reliability of products and components.

There's a wind generator to test how products perform in different wind conditions and three environmental chambers where different temperatures and humidity levels can be tested. Each year, more than 200,000

hours of tests are carried out, pushing our boilers to the limit so that you can have total confidence in our performance and reliability, even in extreme conditions.

## Rely on Potterton for energy efficiency

Global warming and climate change is an issue that Potterton is actively working to combat. In line with increasingly tough environmental standards we have developed our Promax HE range of boilers to minimise the impact that using them has on the environment. 

## Why energy efficiency is important

Domestic boilers account for about 60% of all the carbon dioxide (CO<sub>2</sub>) produced domestically in the UK. They also produce nitrogen oxides (NO<sub>x</sub>), pollutants that cause acid rain and damage the atmosphere's protective ozone. Our Promax HE Plus 15 and 24kW heat only appliances ensure NO<sub>x</sub> and CO<sub>2</sub> emissions are kept to a minimum. So, every little step that can be taken to reduce emissions will help to protect our environment.

# POTTERTON



# Potterton Promax HE Plus



## Greater efficiency means lower bills

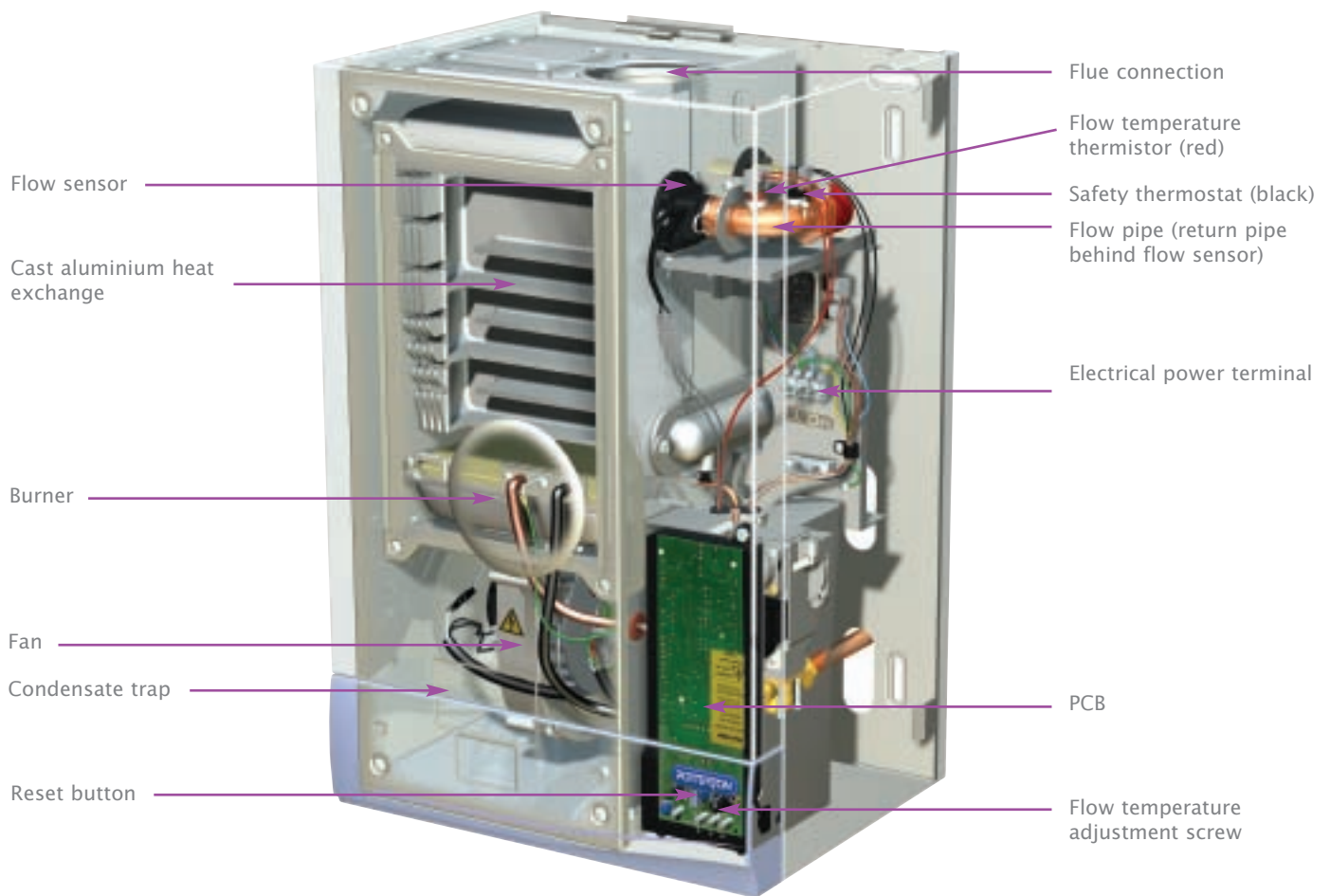
Your customers will also benefit from greater energy efficiency through lower fuel bills. Indeed, our Promax HE range produces up to 19% more heat from the same amount of fuel as a conventional boiler would use.

To encourage everyone to use energy efficient heating, the

Government has introduced a rating system for boilers. The SEDBUK index (Seasonal Efficiency of a Domestic Boiler in the UK) classifies boilers from 'A' to 'G' with 'A' being the most efficient - at least 90% of the fuel burnt is converted to heat. Since April 2005, all new boiler installations must be 'A' or 'B' rated and the Potterton Promax

HE Plus is proud to achieve SEDBUK Band A efficiency. Furthermore, it's easy to install and service as well as being available with a variety of fluing options and accessories.

# On Spec for superb performance



## Promax HE Plus

High efficiency central heating boiler. Three models with fully modulating outputs from 9.14kW to 30kW. Deceptively small, but very powerful, the Promax HE Plus is a wall-mounted central

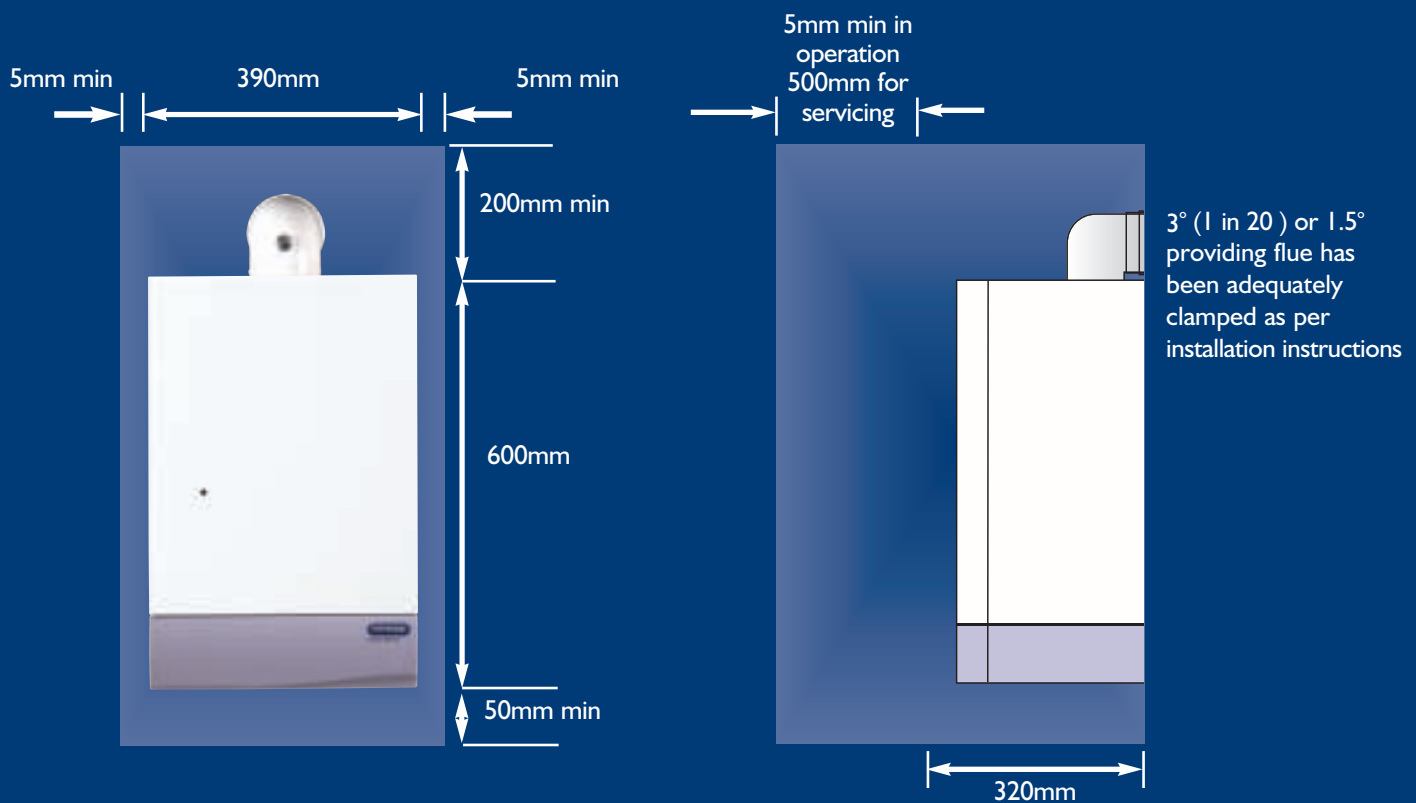
heating only boiler. Hot water can be provided by a separate source, such as an indirect cylinder. The three models in the range feature a choice of power outputs to suit different sizes of home.



## Key features and benefits

- 15kW, 24kW and 30kW wall-mounted models
- Fully modulating outputs from 9.14kW to 30kW - suitable for installation in a wide range of properties
- Lightweight with compact dimensions allowing easy installation
- Wall-mounting bracket for simple fixing
- No compartment ventilation required, reducing installation time
- Comprehensive range of fluing options for easy siting
- SEDBUK Band A - the highest energy efficiency rating

## Dimensions and clearances



# Technical specifications



Flue lengths up to 75m – gives you siting flexibility



1 year warranty



Ultra-low NO<sub>x</sub> emissions Class 5 (the best) – helping to protect the environment



Can be situated in an unventilated cupboard

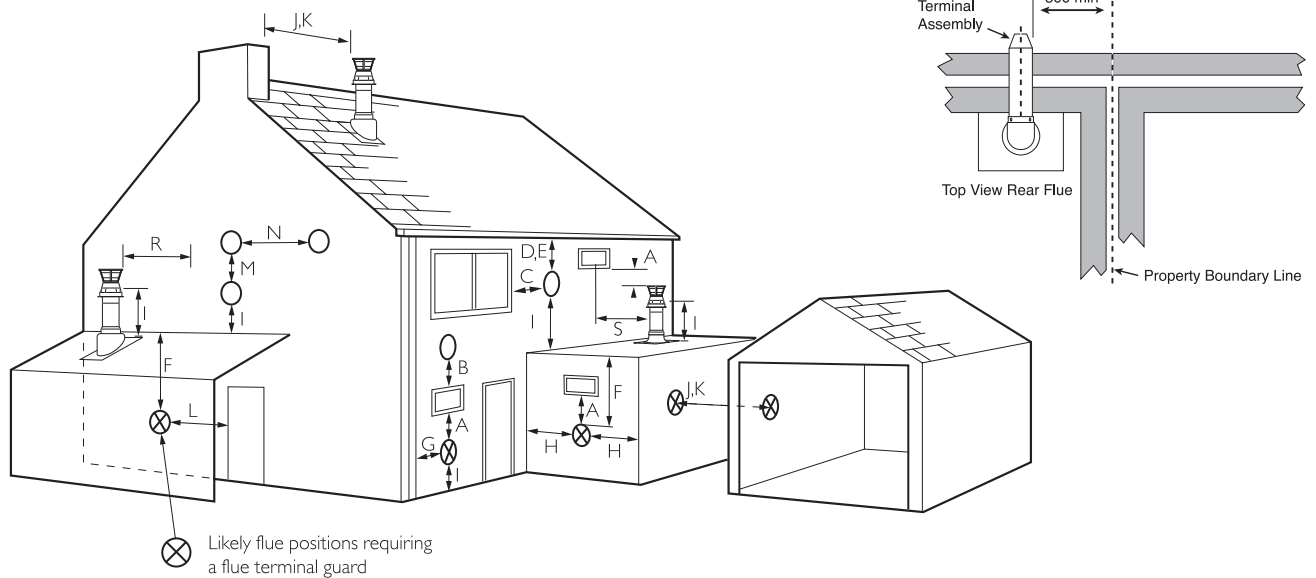


SEDBUK Band A – highest energy efficiency rating

	Units	Promax 15/2 HE Plus	Promax 24/2 HE Plus	Promax 30 HE Plus
Sales Code (Boiler only)		5113564	5113565	5114628
Sales Code (Std. Flue)		236921	236921	236921
Sales Code (Boiler with Std. Flue)		5113587	5113588	5114630
<b>Controls</b>				
Concealed User Controls		Yes	Yes	Yes
LED Operating Status Display		Yes	Yes	Yes
<b>Gas</b>				
Gas		Natural	Natural	Natural
Inlet Supply Pressure	mbar	20	20	20
Max. Gas Rate	m <sup>3</sup> /hr	1.64	2.31	2.95
Max. Central Heating Input	kW	16.8	24.5	33.7
Min. Central Heating Input	kW	10.2	10.2	10.2
Max. Central Heating Output (Non Condensing)	kW	15.2	22.0	30.2
Min. Central Heating Output (Non Condensing)	kW	9.1	9.1	9.1
Max. Central Heating Output (Condensing)	kW	16.5	23.8	32.6
Min. Central Heating Output (Condensing)	kW	10.1	10.1	10.1
SEDBUK Band		A	A	A
NO <sub>x</sub> Emissions	mg/kWhr	29	37	48
NO <sub>x</sub> Class		5	5	5
EcoHomes Credits		3	3	3
<b>Electrical</b>				
Electrical Supply	Volts/Hz	230/50	230/50	230/50
Power Consumption	Watts	80	80	80
External Fuse Rating	Amps	3	3	3
IPX Rating (Electrical Protection)		IPX2	IPX2	IPX2
<b>Mechanical</b>				
Wall Mounting Bracket		Yes	Yes	Yes
Upward Pipe Routing		Yes	Yes	Yes
Gas Supply Connection	mm	22	22	22
Central Heating Connections	mm	22	22	22
Condensate Drain Connection	mm	21.5	21.5	21.5
Compartment Ventilation		None	None	None
<b>Hydraulic</b>				
Central Heating System Inhibitor		Required	Required	Required
<b>Concentric Flue System</b>				
Standard Concentric Flue Diameter	mm	110	110	110
Standard Concentric Flue Length	mm	800	800	800
Max. Equivalent Horizontal Length	m	4.8	4.8	4.8
Max. Equivalent Vertical Length	m	5	5	5
<b>Twin Pipe Flue System</b>				
Twin Pipe Flue Diameter	mm	80/80	80/80	80/80
Max. Equivalent Vertical Length	m	150	150	150
Max. Equivalent Horizontal Length	m	150	150	150
<b>Plume Displacement Kit</b>				
Max. Equivalent Vertical Length	m	29	29	22
<b>Weights</b>				
Max. Installation Lift Weight	kg	26	26	26
Gross Packaged Boiler Weight	kg	36.2	36.2	36.2
Packaged Boiler Dimensions (L x W x D)	mm	655 x 440 x 400	655 x 440 x 400	655 x 440 x 400



NOTE: The distance from a fanned draught appliance terminal installed parallel to a boundary may not be less than 300mm in accordance with the diagram below, unless the flue deflector kit is used.



### Terminal Position with Minimum Distance (mm)

A*	Directly below an opening, air brick, opening windows etc.	300
B*	Above an opening, air brick, opening window etc.	300
C*	Horizontally to an opening, air brick, opening window etc.	300
D	Below gutters, soil pipes or drain pipes.	150
E	Below eaves.	200
F	Below balconies or carport roof.	200
G	From a vertical drain pipe or soil pipe.	150
H	From an internal (i) or external (ii) corner.	300
I	Above ground, roof or balcony level.	300
J	From a surface or boundary line facing a terminal.	600
K	From a terminal facing a terminal (horizontal flue).	1200
	From a terminal facing a terminal (vertical flue).	600
L	From an opening in carport (e.g. door, window) into the dwelling.	1200
M	Vertically from a terminal on the same wall.	1500
N	Horizontally from a terminal on the same wall.	300
R	From adjacent wall to flue (vertical only).	300
S	From an adjacent opening window (vertical only).	1000

**Reduced clearances** This range of boilers has been tested and approved for use with certain clearances less than those shown. Horizontal flues in positions D, E, F, G & H(i) may be reduced to 25mm. H(ii) may only be reduced to 115mm. **Only one of these reductions may be used on a single installation.**

\*In addition, the terminal should be no nearer than 150mm to an opening in the building fabric formed for the purpose of accommodating a built-in element such as a window frame. See BS 5440 Pt1.

# MULTIFIT Flues, Fittings and Accessories

## Flue options

### Concentric Flue

The maximum equivalent lengths are 4m (horizontal and vertical). These lengths exclude the standard elbow and flue/terminal assembly (horizontal) and terminal assembly (vertical).

### Twin Flue

The total maximum equivalent flue length is 150m.

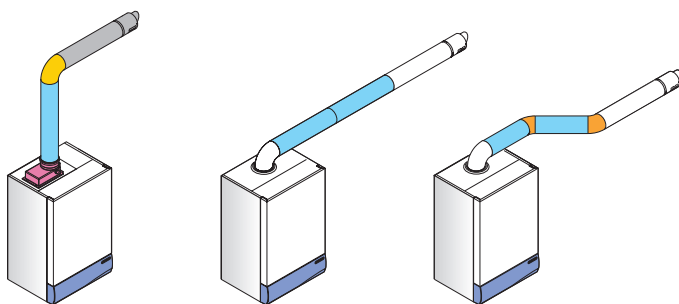
Note: Each 1m of flue duct should be calculated as 2m.

Any additional 'in line' bends in the flue system must be taken into consideration. Their equivalent lengths are:

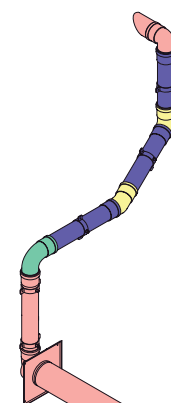
Concentric Pipes:	45° bend	0.5m
	93° bend	1.0m
Twin Flue Pipe:	45° bend (air duct)	1.3m
	45° bend (flue duct)	2.6m
	90° bend (air duct)	4.8m
	90° bend (flue duct)	9.6m

Detailed examples of equivalent flue length calculations are given in the Installation Guidance Notes for each flue system type (Documents 243501 and 243502 for concentric and twin pipe respectively).

## Horizontal Concentric Flues 70/110mm



Item Description (MULTIFIT) Flue System B	Specification	Key & OD Dimensions	'Baxi / Potterton' Sales Code	'Potterton' Sales Code	Multifit Sales Code
Standard Horizontal Flue inc Elbow	850mm	110mm	236921		236921
Horizontal Flue / Wall Terminal	850mm	110mm			243013BAX
Flue Extension	1000mm	110mm	241695		241695
Flue Extension	500mm	110mm	241694		241694
Flue Extension	250mm	110mm	241692		241692
Flue Bend	90 degree	110mm	241687		241687
Flue Bend (Pair)	135 degree	110mm	241689		241689
Flue Terminal Deflector		70mm	248167		248167
Vertical Flue Adaptor (Boiler)		110mm	5106888		5106888
Pipe Support		110mm	243014BAX		243014BAX



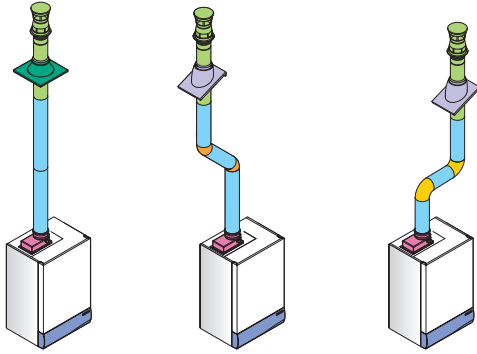
## Plume Displacement Kits 70/100mm to 70mm PDK

Item Description (MULTIFIT) Flue System L	Specification	Key & OD Dimensions	'Baxi / Potterton' Sales Code	'Potterton' Sales Code	Multifit Sales Code
Plume Displacement Kit inc Elbow & clips	All HE Plus	110mm		5117387	5121371
Plume Displacement Kit Extension inc clip	1000mm	70mm		5117388	5121372
Plume Displacement Kit Bend	93 degree	70mm		5117389	5121373
Plume Displacement Kit Bend (Pair)	135 degree	70mm		5117390	5121374



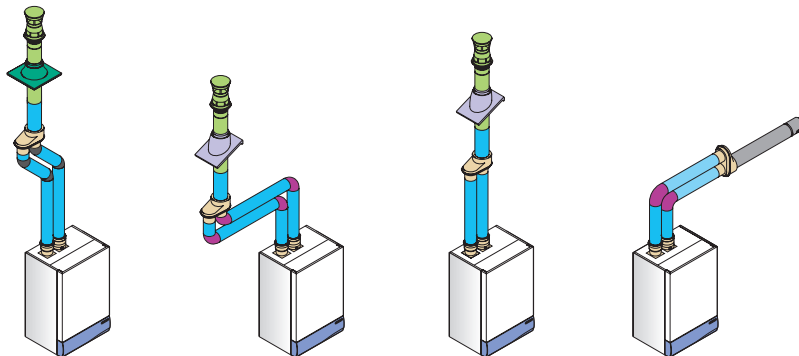


## Vertical Concentric Flues 70/110mm



Item Description (MULTIFIT) Flue System B	Specification	Key & OD Dimensions	'Baxi / Potterton' Sales Code	'Potterton' Sales Code	Multifit Sales Code
Vertical Roof Terminal		70/110mm	242802		242802
Flue Extension	1000mm	110mm	241695		241695
Flue Extension	500mm	110mm	241694		241694
Flue Extension	250mm	110mm	241692		241692
Flue Bend	90 degree	110mm	241687		241687
Flue Bend (Pair)	135 degree	110mm	241689		241689
Roof Cover Plate			243131		243131
Pipe Support		110mm	243014BAX		243014BAX
Flat Roof Flashing		125mm	243016BAX		243016BAX
Pitched Roof Flashing	25 / 50 degree	125mm	243015		243015
Vertical Flue Adaptor (Boiler)		110mm	5106888		5106888

## Twin Pipe Flues 80/80mm



Item Description (MULTIFIT) Flue System P	Specification	Key & OD Dimensions	'Baxi / Potterton' Sales Code	'Potterton' Sales Code	Multifit Sales Code
Horizontal Flue Terminal	850mm	110mm	243013BAX		243013BAX
Vertical Roof Terminal		70/110mm	242802		242802
Twin Pipe Flue Extension	1000mm	80mm	246137		246137
Twin Pipe Flue Extension	500mm	80mm			246136
Twin Pipe Flue Extension	250mm	80mm			246135
Twin Pipe Flue Bend (2 Pair)	135 degree	80mm	246138		5121561
Twin Pipe Flue Bend (Pair)	90 degree	80mm	246139		5121560
Twin Pipe Support (Pair)		80mm	238684		5111081
Pipe Support		110mm	243014BAX		243014BAX
Flat Roof Flashing		125mm	243016BAX		243016BAX
Pitched Roof Flashing	25 / 50 degree	125mm	243015		243015
Twin Pipe Flue Adaptor Set		80/80mm	242757		242757
Flue Terminal Deflector			248167		248167
Roof Cover Plate			243131		243131

# Installation and Service



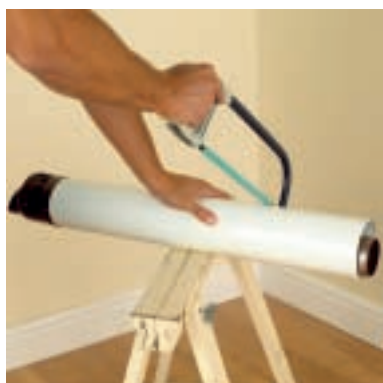
1. Unpack appliance and contents. Ensure that all components are in the packaging as listed in the installation instructions.



2. Level and tape the template in the chosen location. Mark the centre of the flue and pipework connections.



3. Fix the wall plate to the wall using the four securing points marked on the template. After cutting the flue hole with a 125mm diameter core drill.



7. Measure and cut the flue terminal to the required length.



8. Engage the flue elbow into the flue. Slide the assembly through the wall, place the flue gasket on the exit of the appliance and secure the flue elbow to the appliance. Secure the flue trim to the outside wall face.



9. Route the electrical cables through the right-hand side of the appliance and secure to the terminals inside the electrical box.



4. Route the condensate discharge pipe to the lower left hand side of the wall plate.



5. Offer the appliance to the wall plate using the lifting points shown in the installation instructions. Locate in the rear bottom edge and push back to locate the latch at the top. Ensure the retaining screw is replaced and the appliance secured safely.



6. Connect the flow, return, gas and condensate pipes to the appliance. Remember to prime the condensate trap with a cup full of water via the flue spigot.



10. After commissioning the appliance as per the installation instructions. Refit the outer case.



11. Instruct the user in the correct operation of the appliance.



12. Complete the benchmark logbook at the back of the installation instructions and hand it to the user along with the user's instructions.

# We are on **your** side

## Installer **support**

Corgi registered installers can get expert technical advice directly from one of our highly trained and experienced **heateam** advisers on a dedicated trade advice line. The advisers are available Monday to Saturday, covering the hours when most installers work.

Other Call Centre support staff operate 7 days a week, 363 days a year – so you can call for support at any time you need it. As an installer, you'll be treated as a priority so that you can solve any problem that you or your customer may have with any Potterton boiler

that you have installed quickly and easily.

On the very rare occasion that the problem can't be fixed on the phone, a **heateam** service engineer can be sent – usually the next working day.

## Customer **support**

By using **heateam** you can reassure customers that they are in good hands, knowing that you have the back-up of more than 200 service engineers.

Nationwide coverage means that there is always a **heateam** engineer nearby. Each engineer only uses official spare parts and can repair boilers on the first visit 95% of the time.

## Expert **training**

Potterton also gives you access to the very latest training on all Potterton boilers, as well as general training in key areas such as energy efficiency, electronics,

combi boilers and more. Training can be delivered at a location close to you or at one of our dedicated training centres in Dartford, Warrington or Warwick.

To book your place on a Potterton training course call **0845 600 7402**

The image shows a large, stylized white logo consisting of the letters 'O' and 'N' on a dark blue background. The 'O' is a thick, rounded shape, and the 'N' is a simple, bold letter. This is part of the Potterton brand identity.



Independently commissioned research has shown that **heateam** has the best performance in the following areas:

- The best call handling time for service\*
- The best call handling time for technical advice\*
- The best service visit response time\*

\*Average response times measured against 6 major manufacturers.

For technical support call **heateam 08706 049 049**

Please note - calls to the contact centre may be recorded or monitored.

The service division of Baxi Heating UK

**heateam**



# The Promax HE range

Promax Combi HE Plus



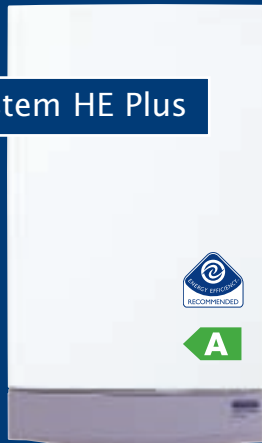
Promax HE Store



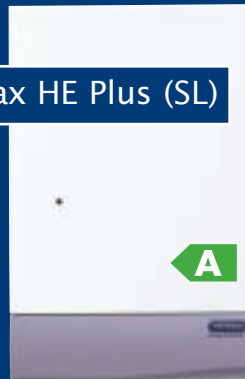
Promax HE Plus



Promax System HE Plus



Promax HE Plus (SL)



Promax FSB 30 HE



ION

# Current Legislation

## An overview of current legislation

As you know, the rules and regulations are changing fast with regards to our business. Here is a brief overview of how things stand at the moment.

- With some exceptions, all boilers in England and Wales must be High Efficiency (SEDBUK Band A or B rated)
- These changes will not include oil boilers until 1st April 2007
- Details of all heat producing appliances must be provided to the Local Authority Building Control (LABC)

## Self certification and compliance

The Government realises that the enforcement of the building regulations is important, but Local Authority Building Control will not be able to inspect every new and replacement boiler installation.

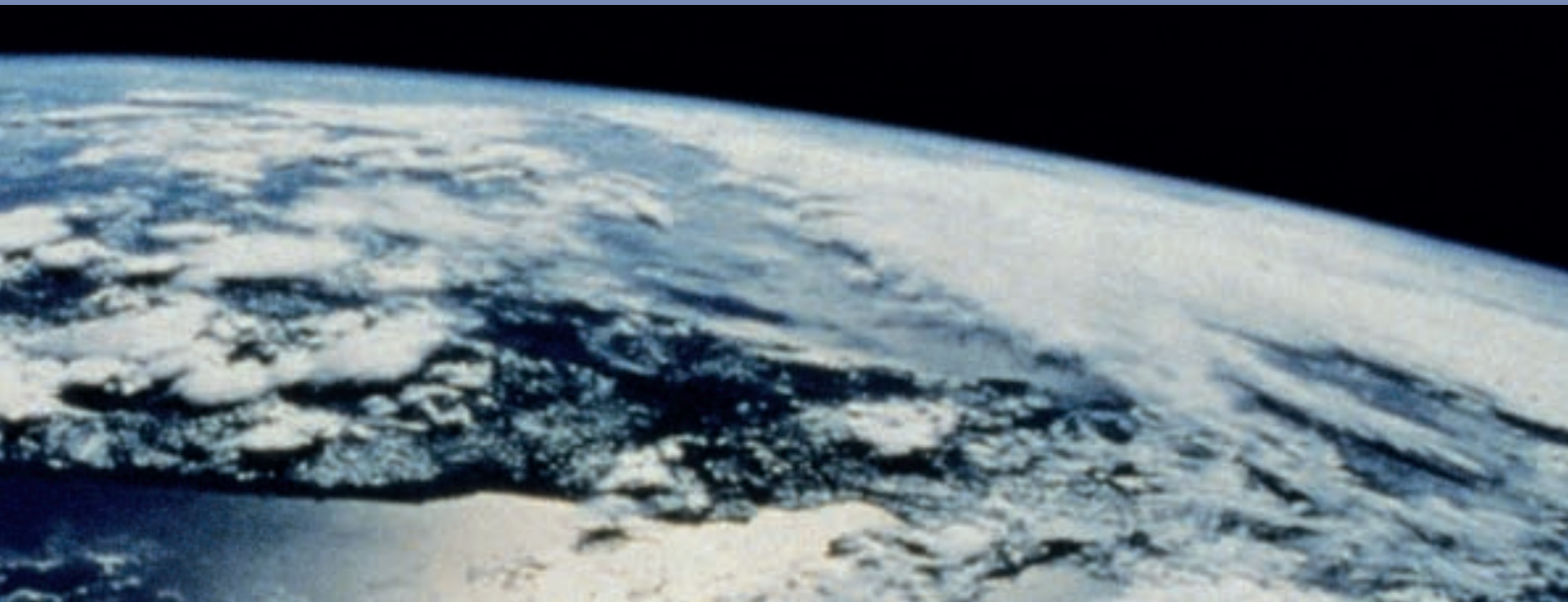
However:

- Corgi registered installers who have completed a recognised training programme in energy efficiency (such as Energy Efficiency for Domestic Heating 6084 run by City and Guilds or equivalent) can register on a self-certification scheme run by CORGI
- The installer will provide details of each installation to CORGI, who will then issue a Building Regulations compliance certificate to the householder and notify LABC on the installer's behalf
- Installers who do not belong to a Competent Person scheme will have to obtain a Building Control notice before installing any boiler

## Exceptions assessment

To assess exceptions, installers can use a simple points scoring system.

- The procedure incorporates an assessment form that needs to be signed by a competent person
- No assessment is required with regard to the fitting of high efficiency boilers and warm air heaters
- Although oil boilers are regarded as exceptions until 1st April 2007, the installer still needs to complete a form



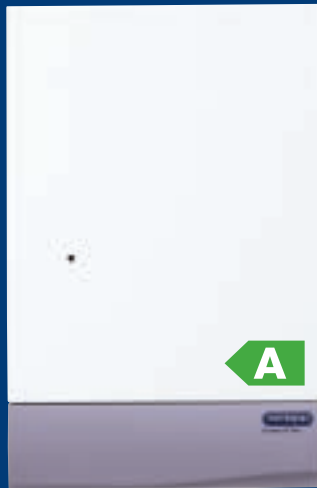




This brochure is printed on paper made from trees grown in a sustainable forest. It is 100% recyclable and conforms to ISO 14001 Environmental Certification. The inks used to print this document are soya based, which are 100% recyclable and significantly more environmentally friendly than traditional solvent based inks.

You can rely on **POTTERTON**

**POTTERTON**



### Contacts:

General Enquiries Tel: 08706 06 07 80  
 Technical Information Tel: 08706 049 049  
 Service Tel: 08706 017 017 Fax: 01926 410 006  
 Literature Request Tel: 08706 06 06 23

Please note - calls to the contact centre may be recorded or monitored.

### Potterton

A trading division of Baxi Heating UK Ltd, a division of Baxi Group.  
 Brooks House, Coventry Road, Warwick CV34 4LL.  
 Website: [www.potterton.co.uk](http://www.potterton.co.uk)



Potterton policy is one of continual improvement and development. The right to change specification and appearance without prior notice is reserved. The reproduction of colours is as accurate as photographic and printing processes allow. The consumer's statutory rights are not affected. e&oe